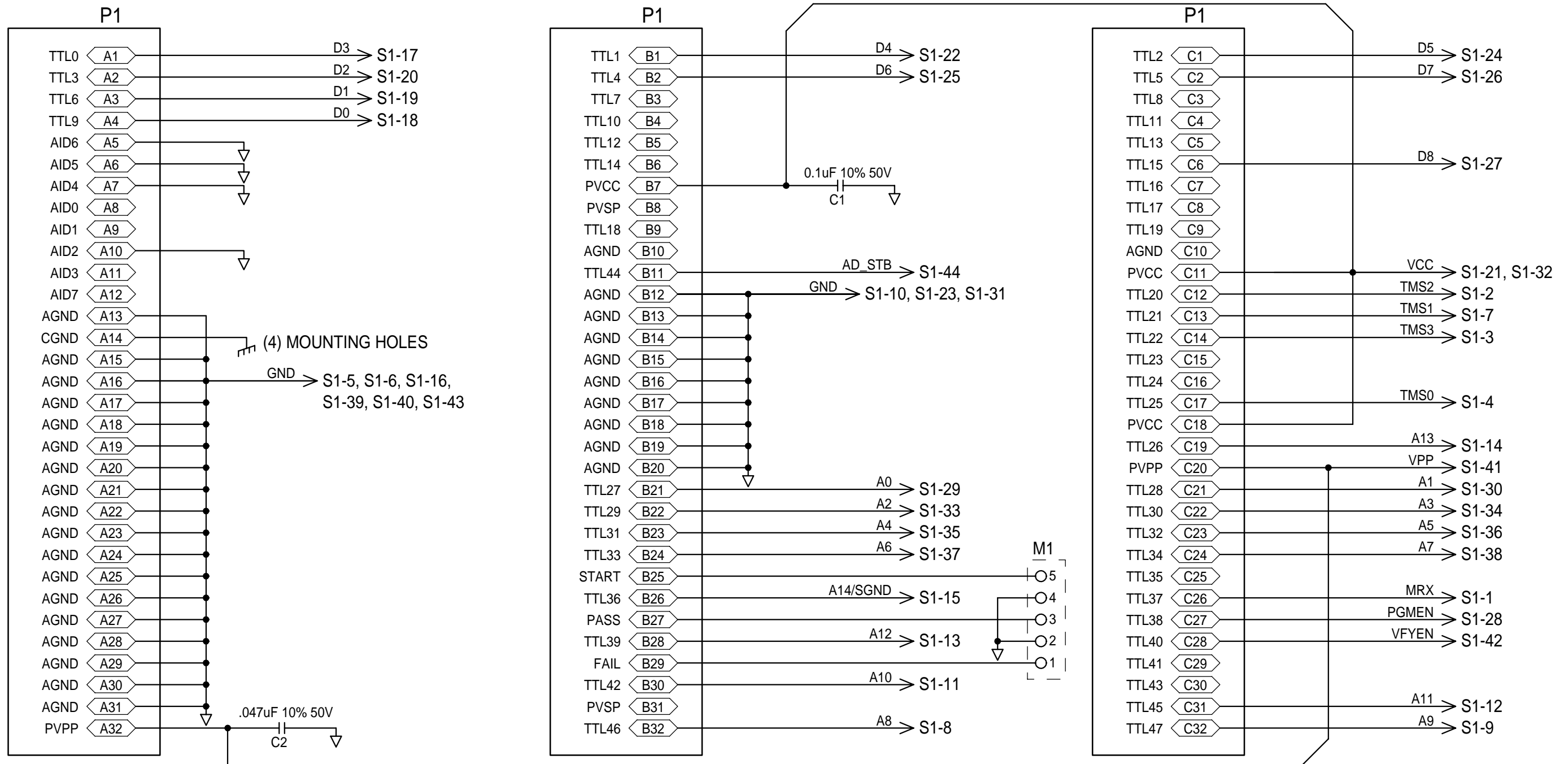
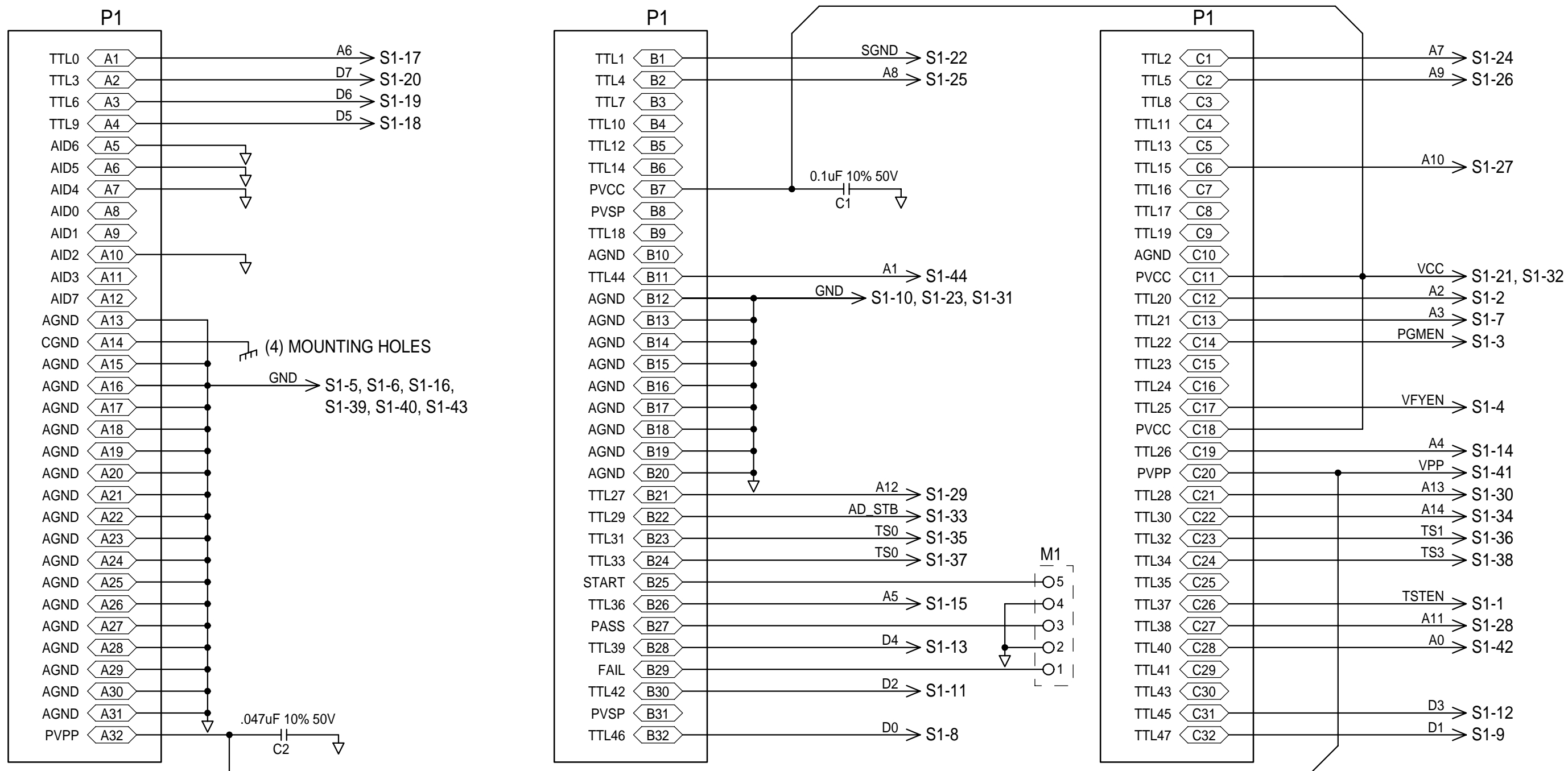


ZONE	REV	REVISION DESCRIPTION	DATE	DRAWN	CHECK	APPVD
	01	INITIAL RELEASE PER DCN 6629	3/27/95	EWR		FE
	02	CHANGE PER DCN 7106	7/18/95	JWS		ZZ
	03	CHANGE PER DCN #7451	9/26/95	EWR		ZZ



- NOTES:
1. P1 is a 96-pin male connector, 3 rows (A,B,C) of 32 pins.
  2. S1 is a 44 pin PLCC "live bug" Socket.
  3. M1 are connection pads for an autohandler.
  4. Board ID is 8B hex, 1000 1011 bin, 139 dec.
  5. Signal names for XC7354/XC7336

		TITLE	
		SCHEMATIC, 0430842 HW-133-PC44 ADAPTER	
DRAWN BY EWR/Resler		DATE 3/23/95	PROJECT: HW130
CHECKED BY JWS		DATE 3/27/95	SIZE
ENG APPROVAL EWR		DATE 3/28/95	DRAWING NUMBER
MFG APPROVAL FE		DATE 3/28/95	REV.
FSCM 68994		<b>B</b> <b>0380425</b> <b>04</b>	
<p>TOLERANCES</p> <p>∠ .X .XX .XXX</p> <p>Unless otherwise specified, dimensions are in inches.</p>		SCALE NONE	SHEET 1 OF 2



NOTES:

1. P1 is a 96-pin male connector, 3 rows (A,B,C) of 32 pins.
2. S1 is a 44 pin PLCC "live bug" Socket.
3. M1 are connection pads for an autohandler.
4. Board ID is 8B hex, 1000 1011 bin, 139 dec.
5. Signal names for XC9572 & XC9572F. The physical traces are the same, only the names have changed.

		TITLE SCHEMATIC, 0430842 HW-133-PC44 ADAPTER	
		PROJECT: HW130	
DRAWN BY EWRResler	DATE 11/27/96	SIZE <b>B</b>	DRAWING NUMBER <b>0380425</b>
CHECKED BY	DATE	SCALE NONE	REV. <b>04</b>
ENG APPROVAL	DATE	SHEET 2	OF 2
MFG APPROVAL	DATE		
FSCM 68994			

TOLERANCES  
 .X .XX .XXX  
 Unless otherwise specified, dimensions are in inches.